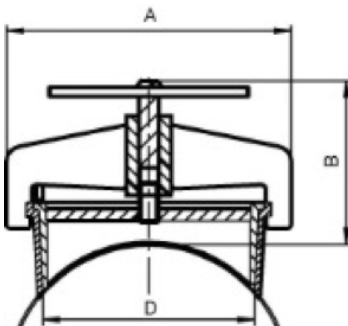


Ki – ALTHAMMER PERFECT CLOSURE

Service openings for demanding applications



CONSTRUCTION

Cleanout openings DN 50 / DN 100 / DN 150 / DN 200 / DN 300 for installation in pipelines, bends, tanks, vessels
Suitable for up to 7.0 bar operating gauge pressure (no CE marking!)

	DN 50	DN 100	DN 150	DN 200	DN 300
D	approx. 45	approx. 85	approx. 126	approx. 176	approx. 276
A	96	141	188	246	367
B	approx. 125	approx. 125	approx. 125	approx. 136	approx. 200

- Installation in arched and flat surfaces possible
- Adapted surface contour
- Material grades TP 316 L / TP 316 TI
- Gasket NBR for temperature up to 100°C
- Gasket FPM for temperature up to 170°C

WEIGHTS

DN 50	DN 100	DN 150	DN 200	DN 300
1,8 kg	3,4 kg	5,5 kg	9,5 kg	23 kg

ORDERING EXAMPLE

Ki – Althammer Perfect Closure DN 150 suitable for tube 154 x 2,0 mm, operating temperature 100°C

We would like to support you in regard of the design suitable for your application. Please contact Ms. Sylvia Cserny at Tel. +49 (0)7321 3503-31 or sylvia.cserny@ki-althammer.de.